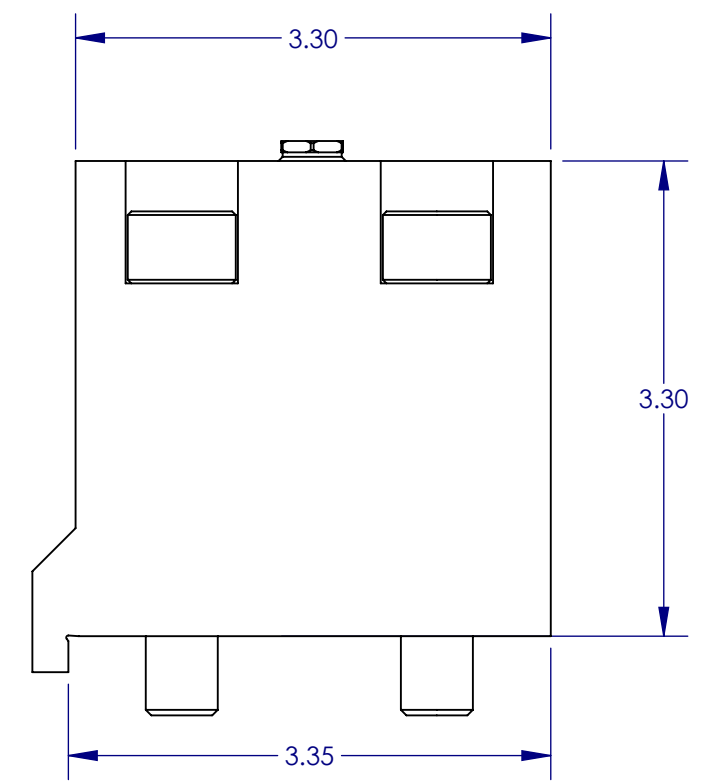
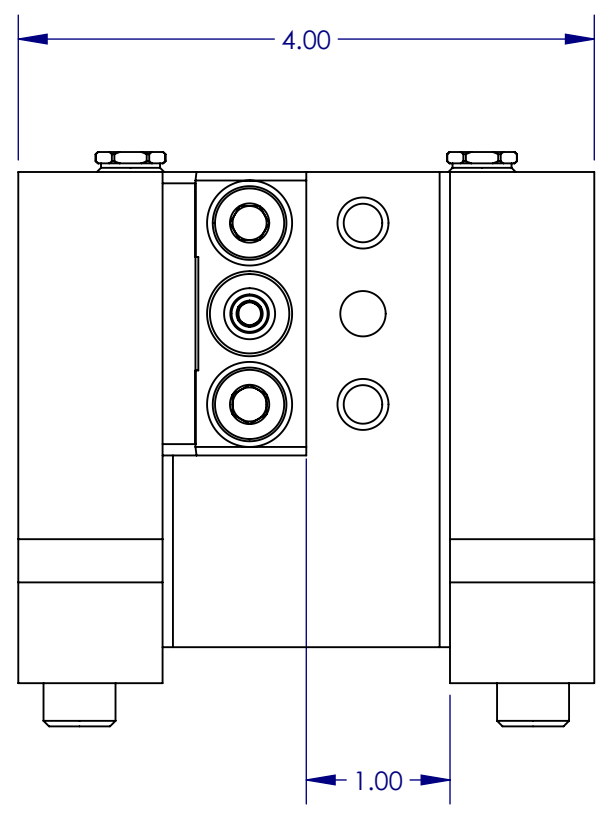
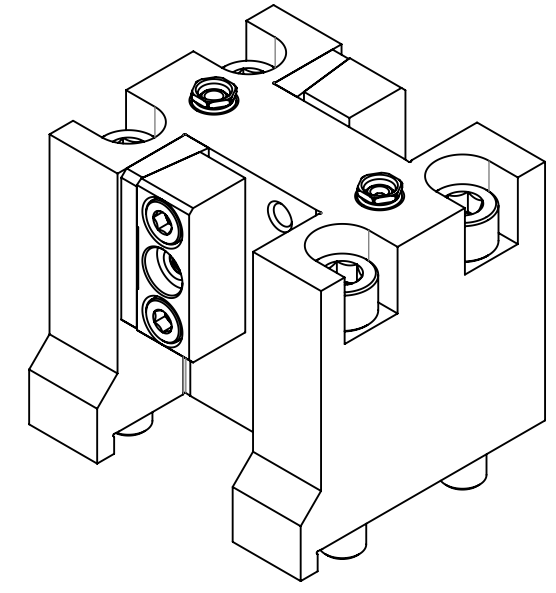
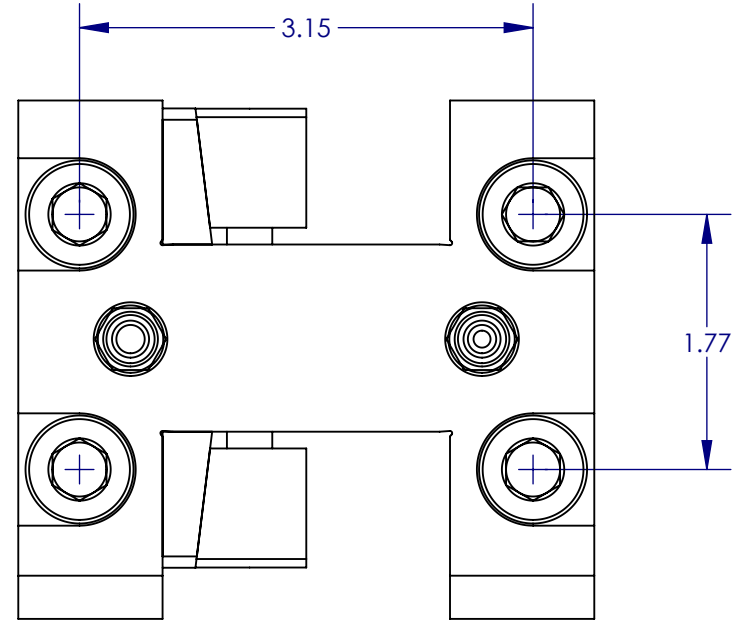


REVISION	DESCRIPTION OF CHANGE	DATE	ECO NUMBER	APPROVED BY
PRE-01	INITIAL DESIGN	03/10/2016	-	



RedLine		DRAWING NUMBER OMW-11128	
		DESCRIPTION 1.000 OD TTH	
		PART NUMBER RBOT20OD1.00T	
DRAWN BY	DATE 10/13/2015	DESIGN STATUS PRE-PRODUCTION	REV. PRE-01
PRIOR DRAWING NUMBERS N/A	WEIGHT N/A	PROCESS STATE FINISHED ASSEMBLY	SCALE 3:4
SIZE B			SHEET 1 OF 1