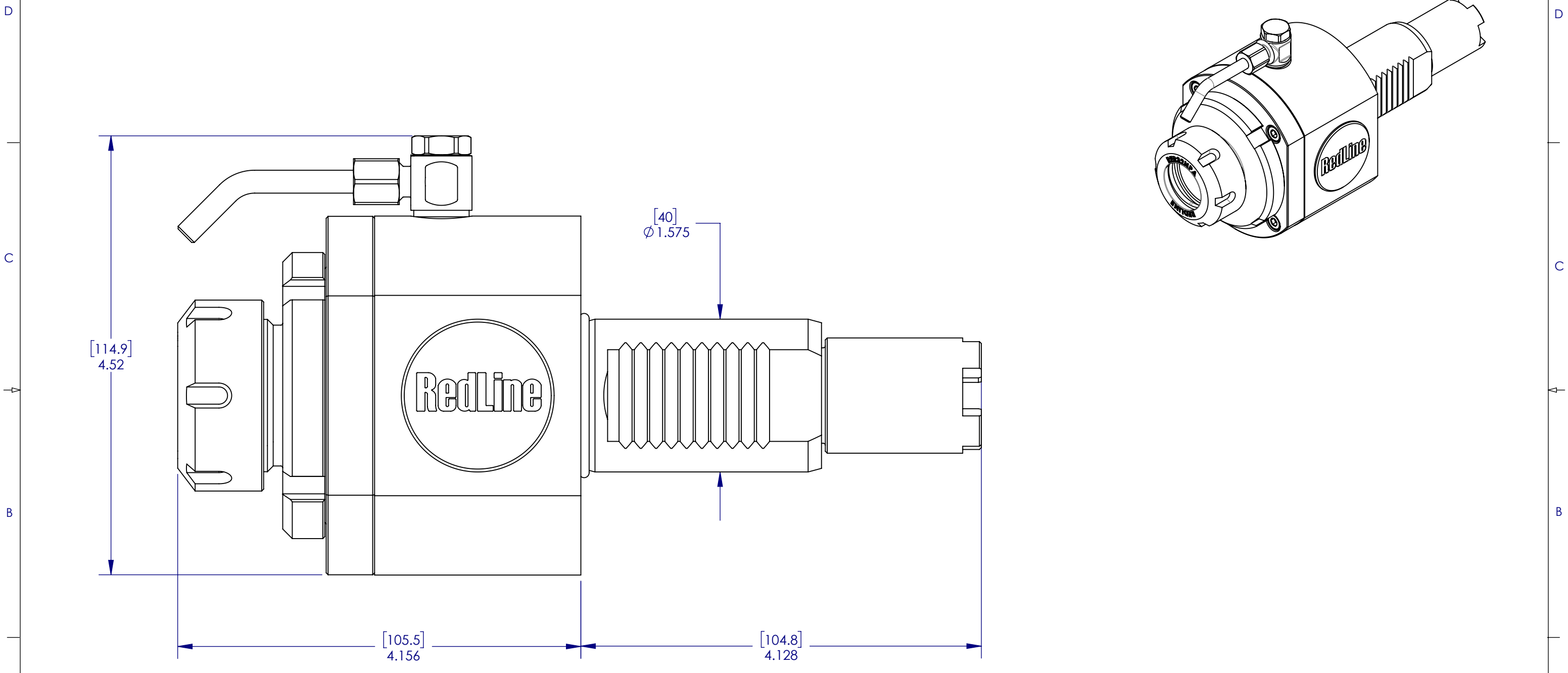


DRAWING NUMBER **OMW-11240**

REVISION	DESCRIPTION OF CHANGE	DATE	ECO NUMBER	APPROVED BY
PRE-03	UPDATED COMPONENTS	07/10/2018	-	



RedLine	DRAWING NUMBER OMW-11240		
	DESCRIPTION VDI40 EXT ER32 40-ADMH 104.85MM AGL		
PART NUMBER RHALT10532			
DRAWN BY	DATE 02/15/2016	DESIGN STATUS PRE-PRODUCTION	REV. PRE-03
PRIOR DRAWING NUMBERS N/A	WEIGHT N/A	PROCESS STATE FINISHED ASSEMBLY	SCALE 1:1
SIZE B			SHEET 1 OF 1