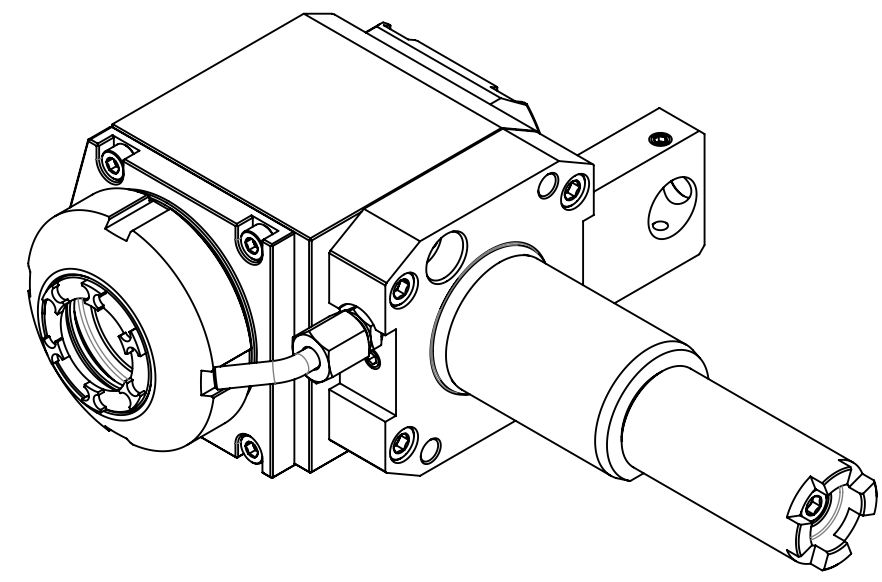


REVISION	DESCRIPTION OF CHANGE	DATE	ECO NUMBER	APPROVED BY
PRE-02	UPDATED BRASS PLUG	12/20/2018	-	



<b>RedLine</b>	DRAWING NUMBER <b>OMW-12176</b>		
	DESCRIPTION <b>VDI40 INT ER32 60-RDMH 130.25MM AGL</b>		
PART NUMBER <b>RHRLT13032ICW</b>			
DRAWN BY	DATE 08/27/2018	DESIGN STATUS PRE-PRODUCTION	REV. PRE-02
PRIOR DRAWING NUMBERS N/A	WEIGHT N/A	PROCESS STATE FINISHED ASSEMBLY	SCALE 2:3
SIZE <b>B</b>			SHEET <b>1 OF 1</b>