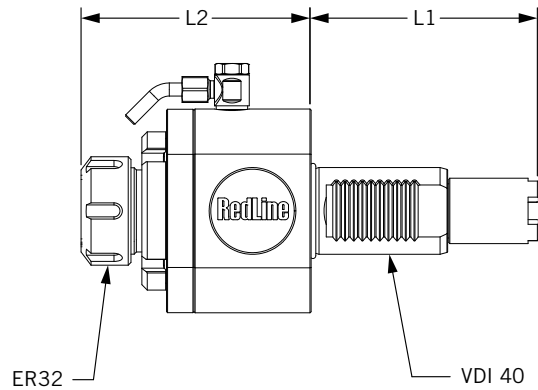


Axial Live Tools for Haas Lathes

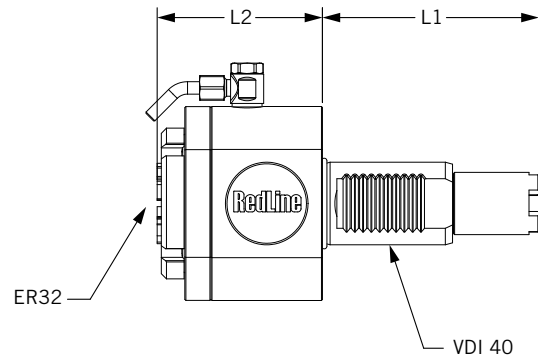
*One (1) collet nut wrench and one (1) spanner wrench is included.



VDI40 Axial Live Tools*

Coolant Option: **External Coolant**

Part Number	Coupling	Nut	Collet	L1	L2	VDI	Max RPM	Drive Ratio	Runout
RHALT10532	Short	External	ER32	105MM	112MM	40	6,000	1:1	≤.0002
RHALT11832	Medium	External	ER32	118MM	112MM	40	6,000	1:1	≤.0002
RHALT13032	Long	External	ER32	130MM	112MM	40	6,000	1:1	≤.0002



VDI40 Axial Live Tools*

Coolant Option: **External Coolant**

Part Number	Coupling	Nut	Collet	L1	L2	VDI	Max RPM	Drive Ratio	Runout
RHALT10532I	Short	Internal	ER32	105MM	78MM	40	6,000	1:1	≤.0002
RHALT11832I	Medium	Internal	ER32	118MM	78MM	40	6,000	1:1	≤.0002
RHALT13032I	Long	Internal	ER32	130MM	78MM	40	6,000	1:1	≤.0002

Collets can be found on pages [50-66](#). For hardware visit page [44](#).