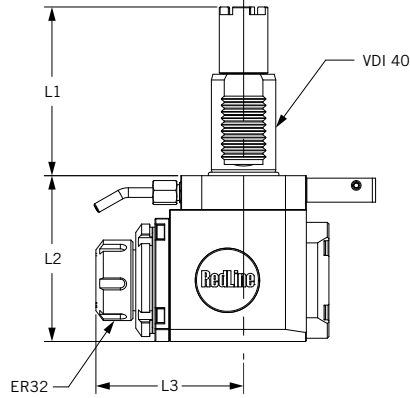


Radial Live Tools for Haas Lathes

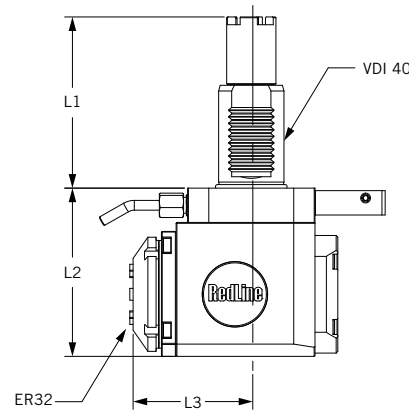
*One (1) collet nut wrench and one (1) spanner wrench is included.



Radial Live Tools*

Coolant Option: **External Coolant**

Part Number	Coupling	Nut	Collet	L1	L2	L3	VDI	Max RPM	Drive Ratio	Runout
RHRLT10532CW	Short	External	ER32	105MM	103MM	84MM	40	6,000	1:1	≤.0002
RHRLT11832CW	Medium	External	ER32	118MM	103MM	84MM	40	6,000	1:1	≤.0002
RHRLT13032CW	Long	External	ER32	130MM	103MM	84MM	40	6,000	1:1	≤.0002



Radial Live Tools*

Coolant Option: **External Coolant**

Part Number	Coupling	Nut	Collet	L1	L2	L3	VDI	Max RPM	Drive Ratio	Runout
RHRLT10532ICW	Short	Internal	ER32	105MM	103MM	82MM	40	6,000	1:1	≤.0002
RHRLT11832ICW	Medium	Internal	ER32	118MM	103MM	82MM	40	6,000	1:1	≤.0002
RHRLT13032ICW	Long	Internal	ER32	130MM	103MM	82MM	40	6,000	1:1	≤.0002

Collets can be found on pages [50-66](#). For hardware visit page [44](#).