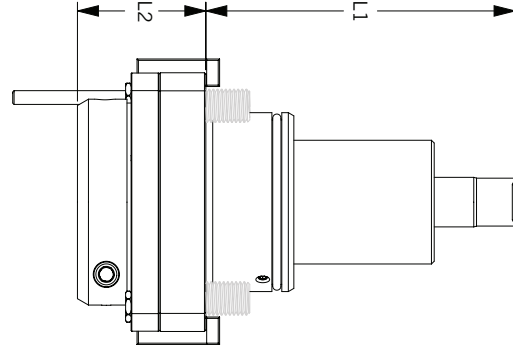


BMT65 Live Tools - ER32 Spindle

*One (1) collet nut wrench and one (1) spanner wrench is included.



Axial



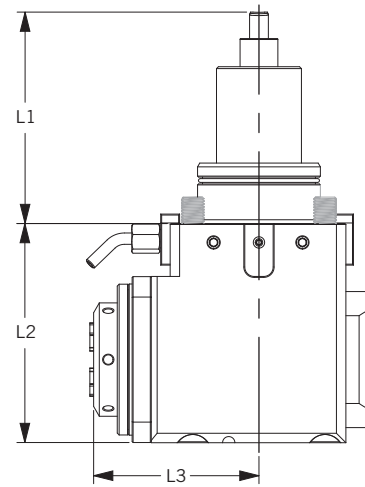
BMT65 Axial Live Tool*

Coolant Option: **External Coolant**

Part Number	Coupling	Nut	Collet	LI	L2	Max RPM	Drive Ratio	Runout
RHAB65A32	BMT65	Internal	ER32	112MM	47MM	6,000	1:1	≤.0002



Radial



BMT65 Radial Live Tool*

Coolant Option: **External Coolant**

Part Number	Coupling	Nut	Tool Type	LI	L2	L3	Max RPM	Drive Ratio	Runout
BHRB65A32	BMT65	Internal	ER32	112MM	116MM	87.50MM	6,000	1:1	≤.0002

Collets can be found on pages [50-66](#). For hardware visit page [44](#).