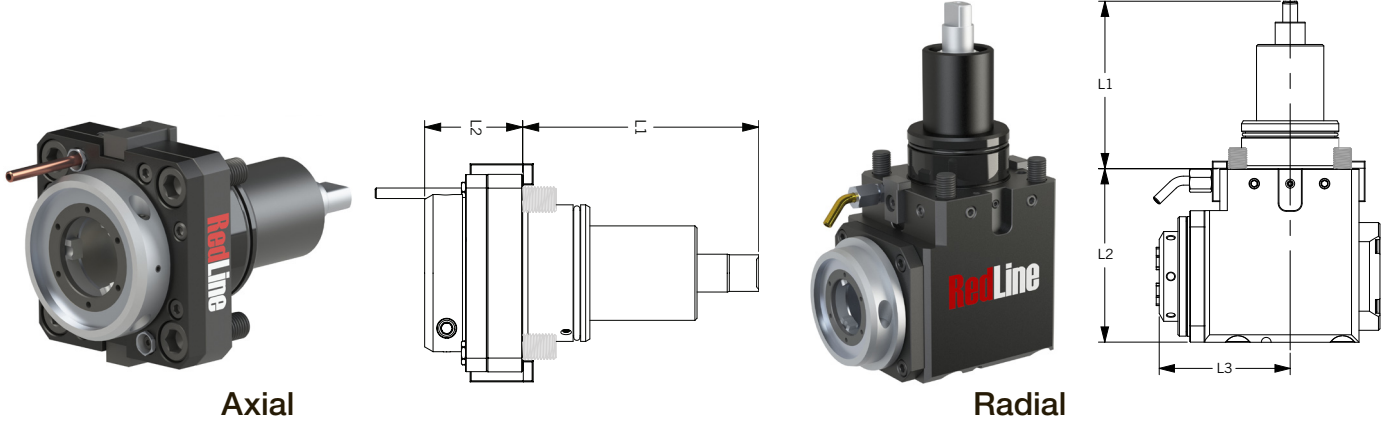


BMT65 Live Tools - VariaConnect Spindle

*Must purchase VariaConnect adapter to use these tools. *Torque Wrench sold separately.



BMT65 Axial Live Tool*

Coolant Option: **External Coolant**

| Part # | Coupling | Tool Type | L1 | L2 | Max RPM | Drive Ratio | Runout |
|---------------------------|--------------|---------------------|--------------|------|--------------|-------------|--------|
| RHAB65AVC | BMT65 | VariaConnect | 112MM | 47MM | 6,000 | 1:1 | ≤.0002 |

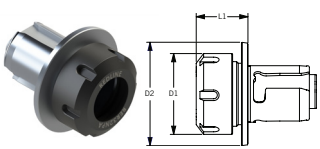
BMT65 Radial Live Tool*

Coolant Option: **External Coolant**

| Part # | Coupling | Tool Type | L1 | L2 | L3 | Max RPM | Drive Ratio | Runout |
|---------------------------|--------------|---------------------|--------------|-------|---------|--------------|-------------|--------|
| RHRB65AVC | BMT65 | VariaConnect | 112MM | 116MM | 88.13MM | 6,000 | 1:1 | ≤.0002 |

VariaConnect Adapters & Accessories

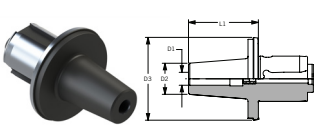
Collet Chucks



| Series | Collet Range | L1 | D1 | D2 | Part # |
|-------------|--------------|---------|------|------|--------------------------|
| ER16 | .0197-.3937 | 23.50MM | 28MM | 64MM | RVCFER16 |
| ER20 | .0197-.5118 | 27MM | 34MM | 64MM | RVCFER20 |
| ER25 | .0197-.6300 | 28MM | 42MM | 64MM | RVCFER25 |
| ER32 | .0394-.7874 | 30MM | 50MM | 64MM | RVCFER32 |
| ER40 | .0787-1.1811 | 57MM | 63MM | 64MM | RVCFER40 |

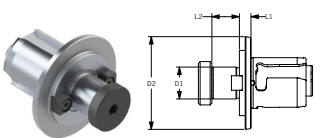
Collets can be found on pages 50-66.

Shrink Fit Holders



| Size | L1 | D1 | D2 | D3 | Part # |
|-------------|---------|---------|------|------|---------------------------|
| 1/4" | 54MM | 6.35MM | 21MM | 64MM | RVCSF0250 |
| 3/8" | 54MM | 9.53MM | 24MM | 64MM | RVCSF0375 |
| 1/2" | 54MM | 12.70MM | 24MM | 64MM | RVCSF0500 |
| 5/8" | 54MM | 15.88MM | 27MM | 64MM | RVCSF0625 |
| 3/4" | 61.50MM | 19.05MM | 33MM | 64MM | RVCSF0750 |

FaceMill Holders



| Size | L1 | L2 | D1 | D2 | Part # |
|-------------|-----|---------|---------|------|---------------------------|
| 1/2" | 8MM | 14.30MM | 12.70MM | 64MM | RVCFM0500 |
| 3/4" | 8MM | 17MM | 19.05MM | 64MM | RVCFM0750 |

Set-up Fixture
Part #: [RVCSF](#)



Torque Wrench
Part #: [RVCW](#)

