

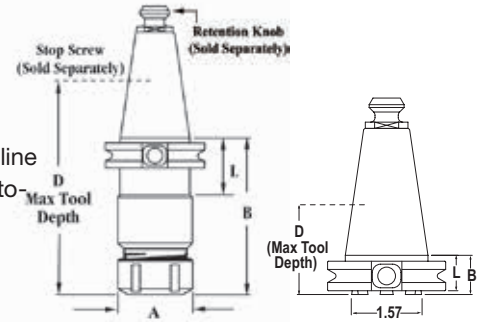
ER32

CAT40 & Straight Shank ER32 Collet Chucks

(Balanced to G2.5@18,000 RPM)



- Small diameter nose well-suited for working in close quarters
- Increased flexibility for milling, drilling, and reaming
- Flush precision collet nut, grips tool close to cutting edge for accuracy and rigidity
- Concentric to .0002" TIR puts tool precisely on spindle center line
- AT3 or better shank taper allows for accurate, rigid toolholder-to-spindle mount
- Wide range collets reduce collet and toolholder inventories
- Fully ground flange and V-groove is easy on tool changers for less spindle and changer maintenance
- Through spindle coolant standard
- [ER32 Collets found on pages 608-609.](#)



Standard

*Extra-stubby

CAT40 ER32 Collet Chucks

Capacity	Taper	A	Gage Length (B)	D	L	Max. Nosepiece Torque	Part #
.079-.787	CAT40	1.97	.83*	1.90	.75	80 ft lbs	RC4ER32083
.079-.787	CAT40	1.97	2.70	3.30	1.38	80 ft lbs	RC4ER32270
.079-.787	CAT40	1.97	4.00	4.00	1.38	80 ft lbs	RC4ER32400
.079-.787	CAT40	1.97	6.00	4.00	1.38	80 ft lbs	RC4ER32600
.079-.787	CAT40	1.97	8.00	4.00	1.38	80 ft lbs	RC4ER32800

*NOTE: Extra-Stubby

ER32 Straight Shank Collet Extension

A	B	D	L	Photo	Dimensions	Part #
1.97	7.5	1.25	5.5			RSSER32750

ER32 Parts & Accessories

Description	Photo	Dimensions	Part #
ER32 Replacement Nosepiece			RER32NPA
ER32 Shorty Replacement Nosepiece			RER32SNPA
ER32 Collet Wrench†			RER32W
ER32 Shorty Wrench			RER32SW
ER32 Stop Screw			RER32SS
ER32 Stop Screw Coolant Thru			RER32SSC

†Required for assembly.