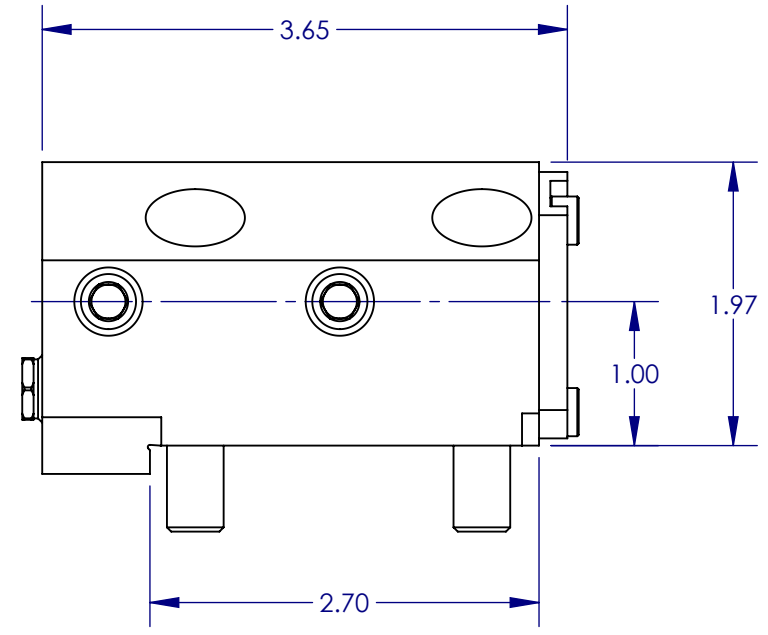
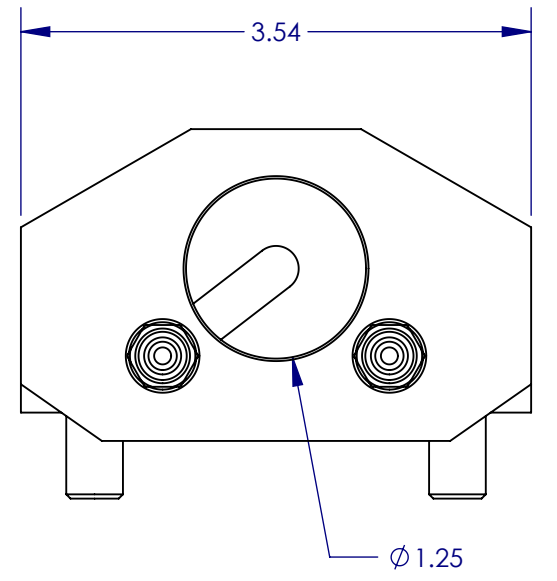
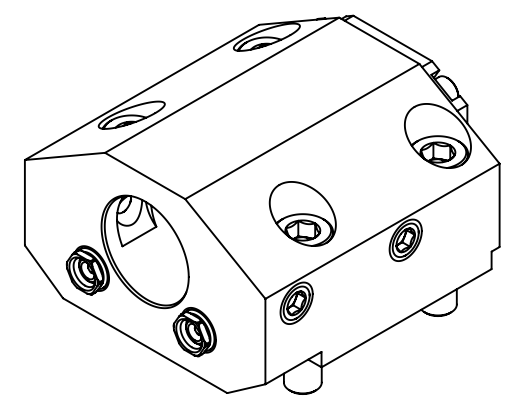
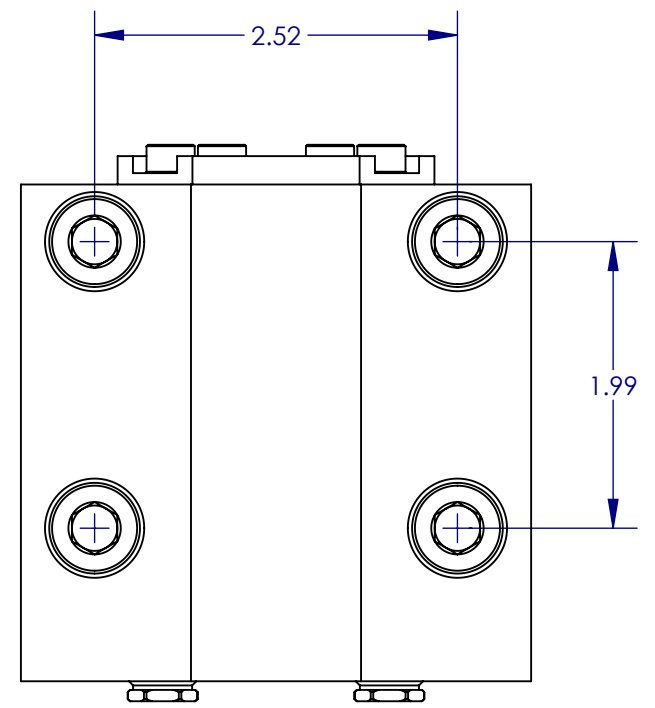


DRAWING NUMBER **OMW-11124**

REVISION	DESCRIPTION OF CHANGE	DATE	ECO NUMBER	APPROVED BY
A	RELEASED FOR PRODUCTION	04/24/2017	-	



RedLine	DRAWING NUMBER OMW-11124		
	DESCRIPTION 1.250 ID BBH		
PART NUMBER RBOT24ID1.25			
DRAWN BY	DATE 11/16/2015	DESIGN STATUS RELEASED	REV. A
PRIOR DRAWING NUMBERS N/A	WEIGHT N/A	PROCESS STATE FINISHED ASSEMBLY	SCALE 3:4
SIZE B			SHEET 1 OF 1