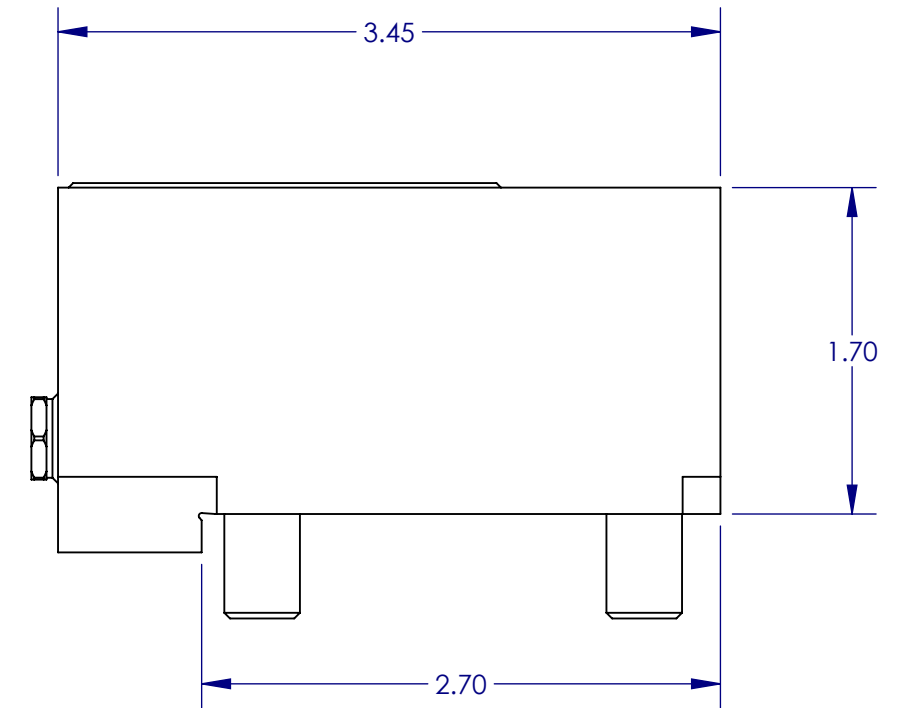
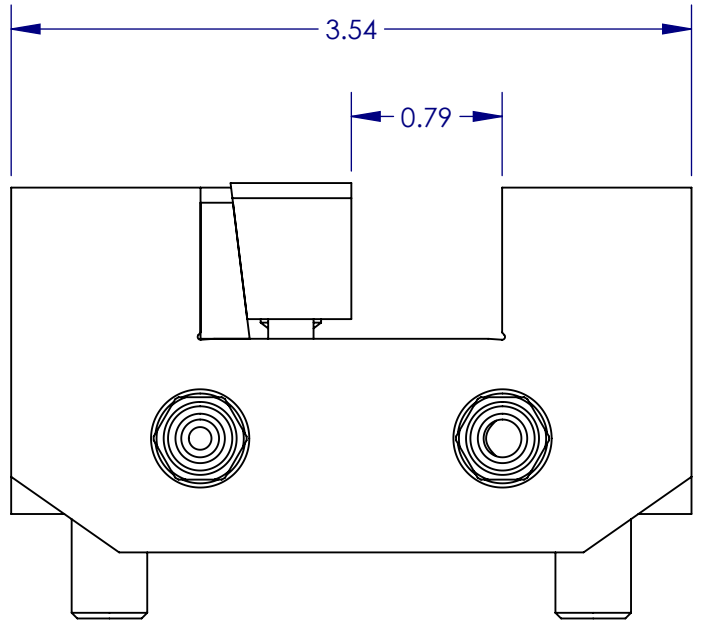
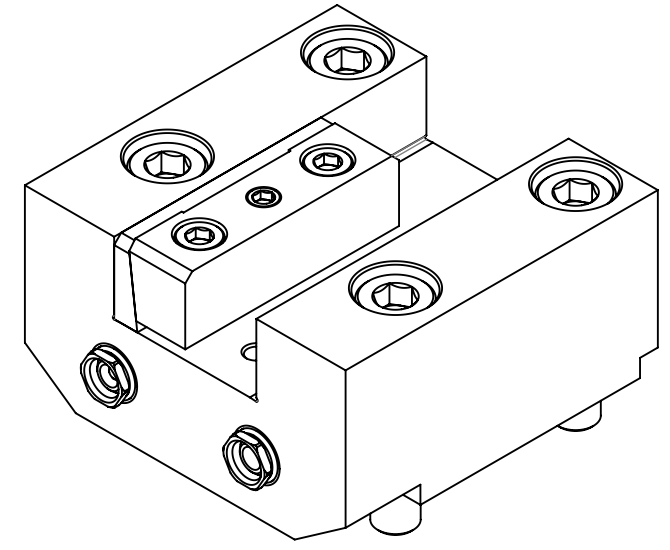
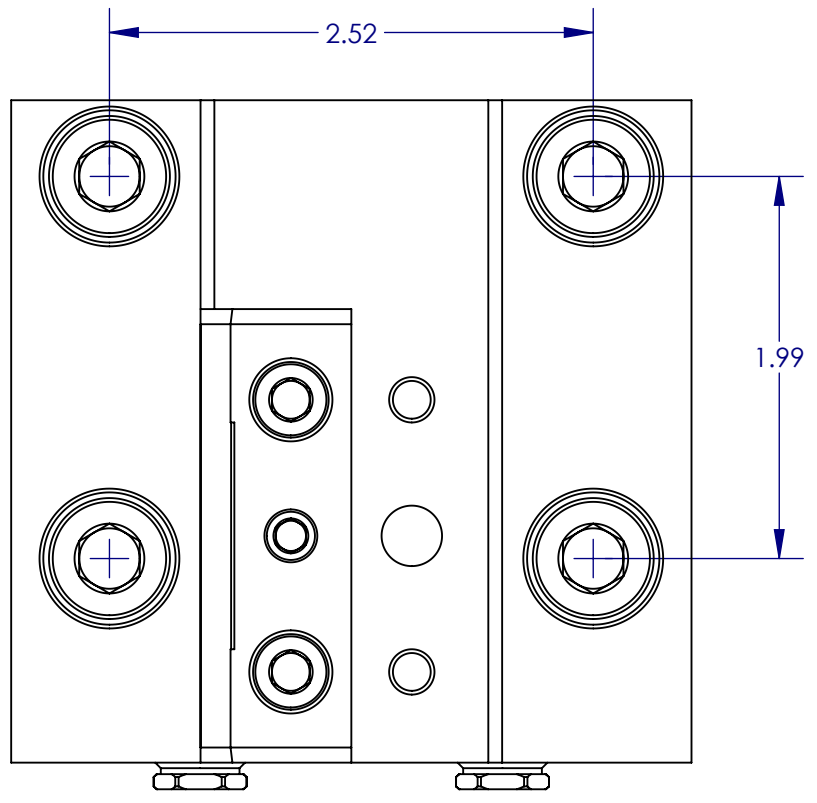


REVISION	DESCRIPTION OF CHANGE	DATE	ECO NUMBER	APPROVED BY
PRE-02	MODIFIED COMPONENT PRINT	2/8/2017	-	



RedLine		DRAWING NUMBER OMW-11143	
		DESCRIPTION 20MM OD F/G	
		PART NUMBER RBOT24MFG20MM	
DRAWN BY	DATE 12/1/2015	DESIGN STATUS PRE-PRODUCTION	REV. PRE-02
PRIOR DRAWING NUMBERS N/A	WEIGHT N/A	PROCESS STATE FINISHED ASSEMBLY	SCALE 1:1
			SIZE B
			SHEET 1 OF 1