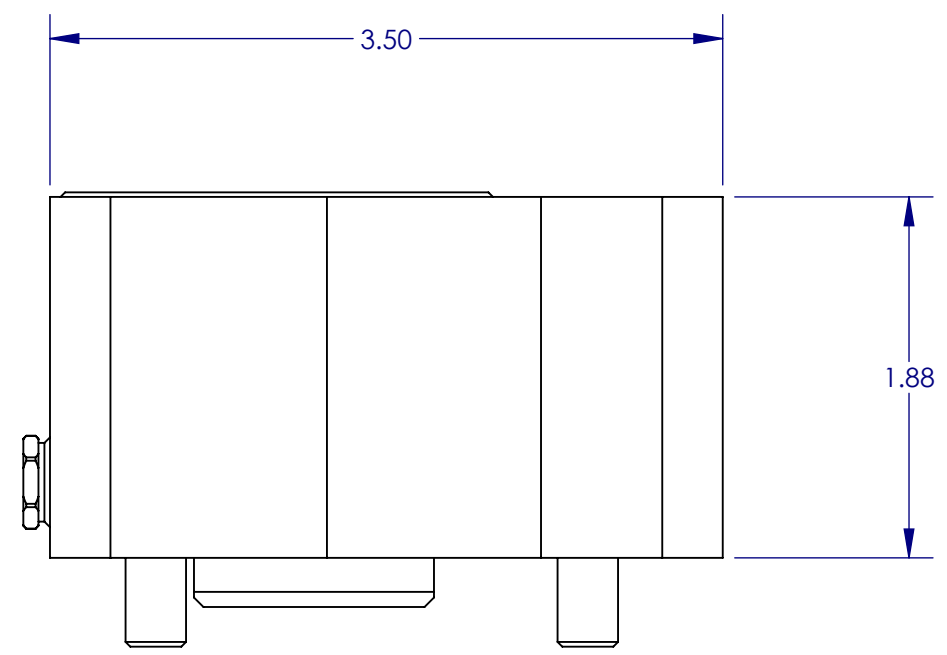
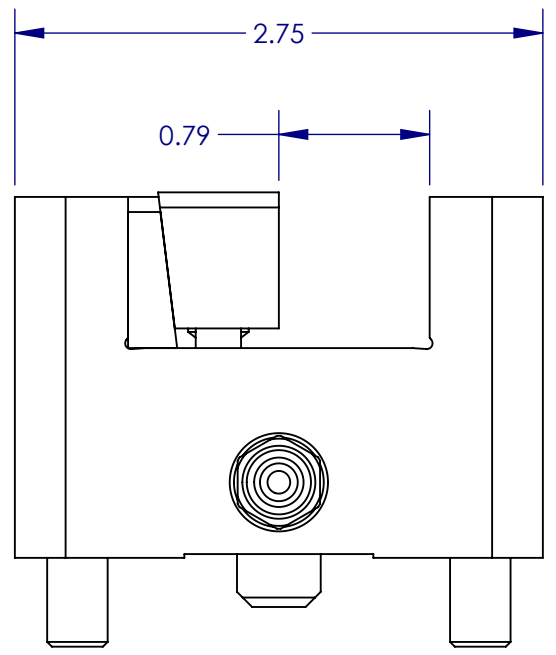
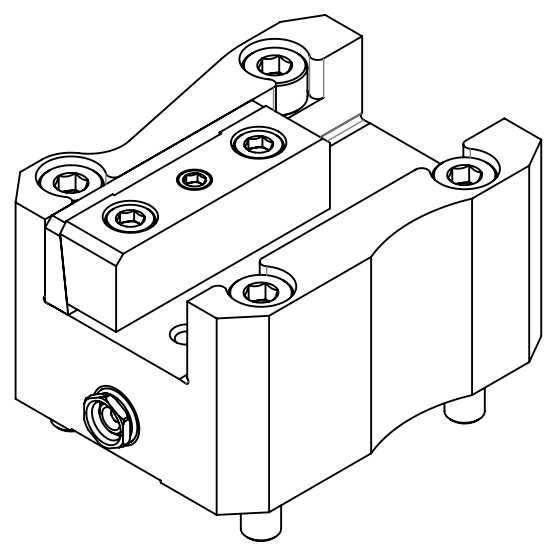
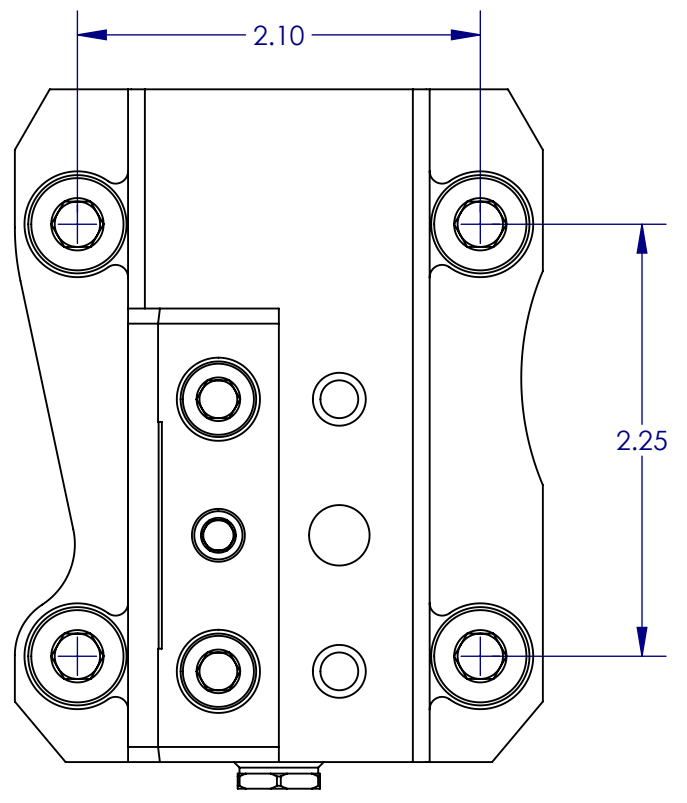


DRAWING NUMBER
OMW-11145

REVISION	DESCRIPTION OF CHANGE	DATE	ECO NUMBER	APPROVED BY
PRE-01	INITIAL DESIGN	3/11/2016	-	



RedLine		DRAWING NUMBER OMW-11145	
		DESCRIPTION 20MM OD PTH	
		PART NUMBER RBOT24MODF20MM	
DRAWN BY	DATE 12/4/2015	DESIGN STATUS PRE-PRODUCTION	REV. PRE-01
PRIOR DRAWING NUMBERS N/A	WEIGHT N/A	PROCESS STATE FINISHED ASSEMBLY	SCALE 1:1
			SIZE B
			SHEET 1 OF 1