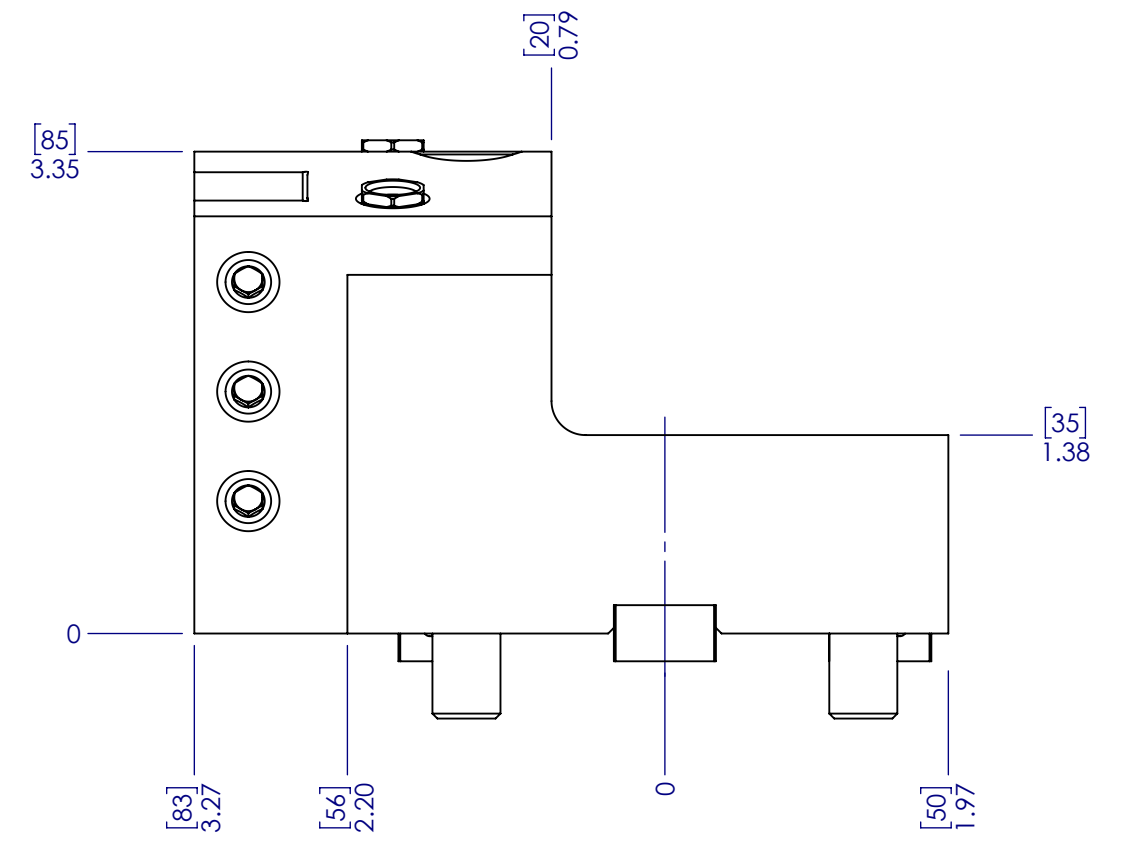
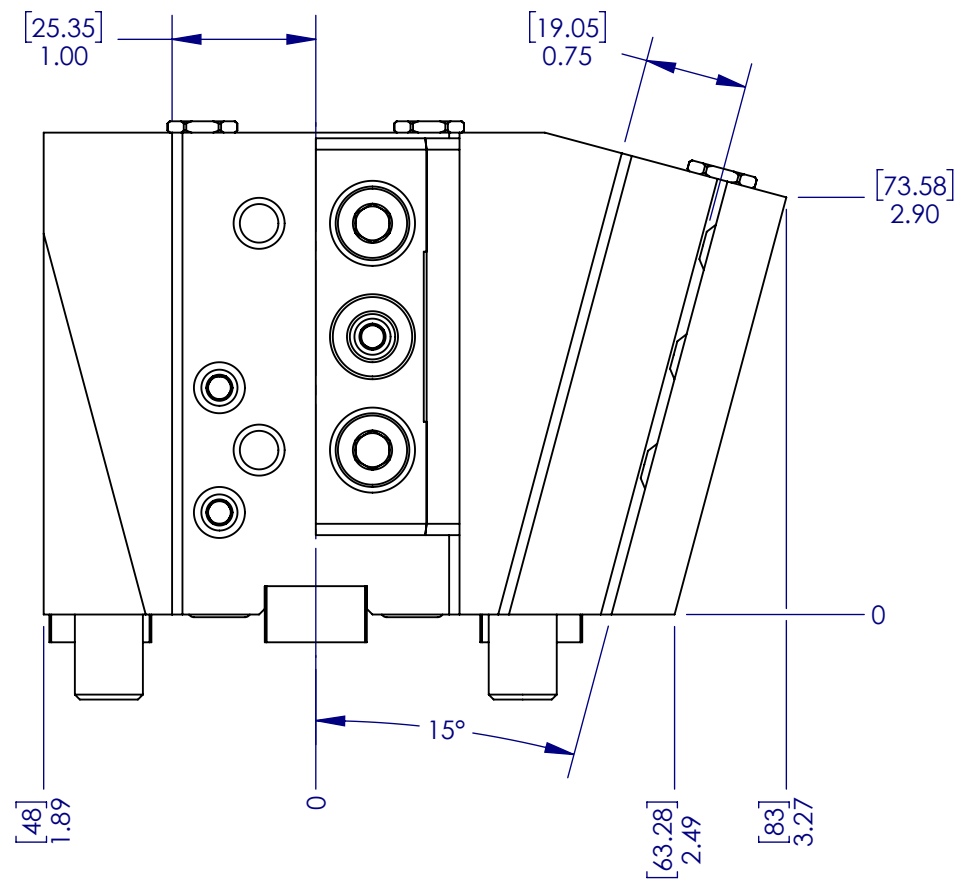
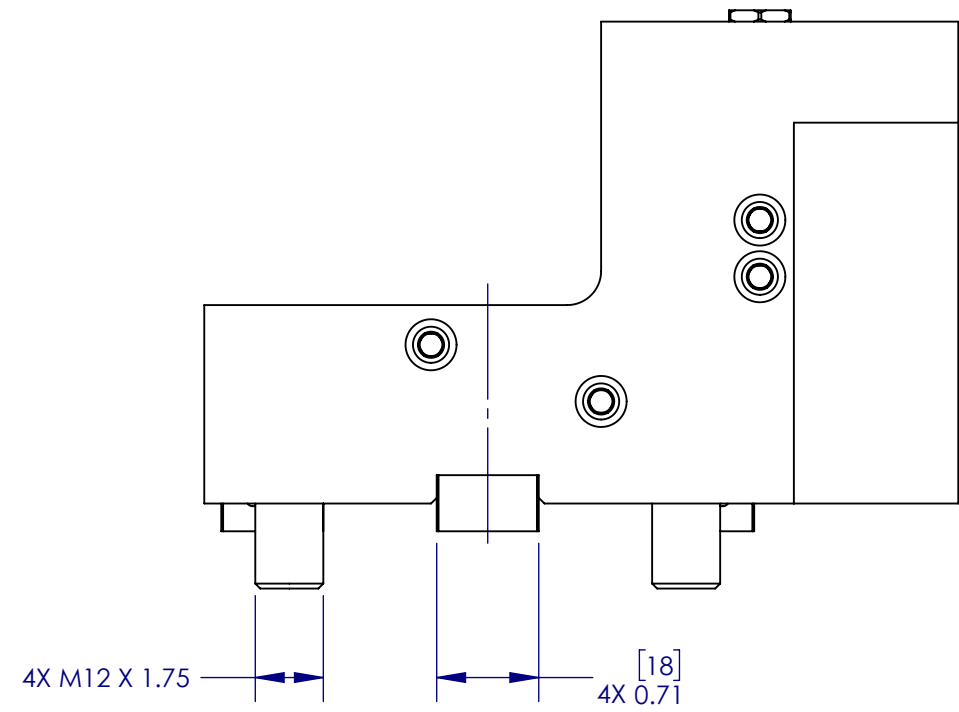
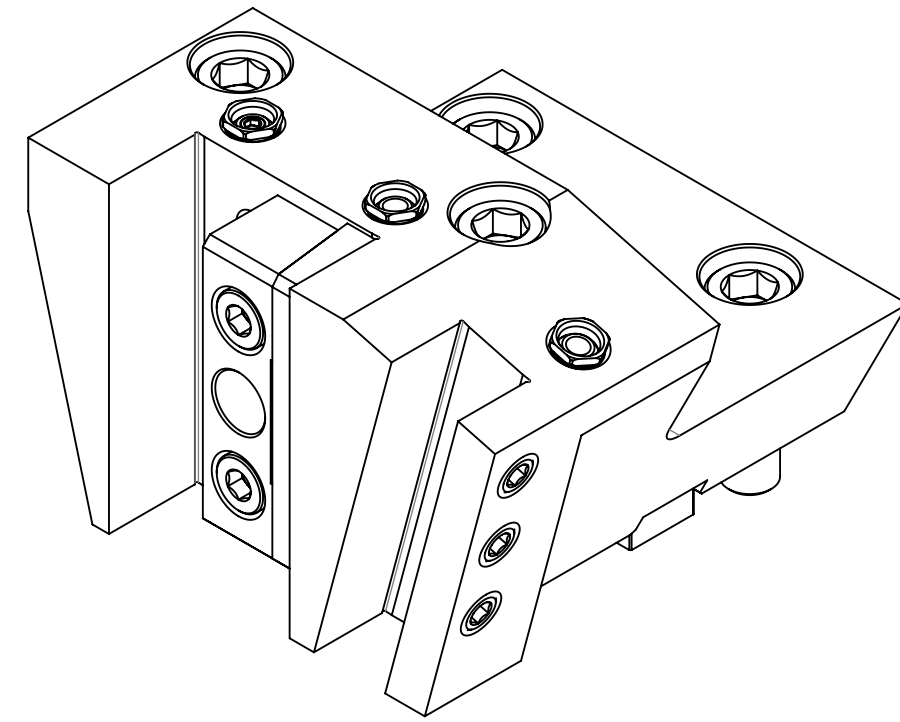
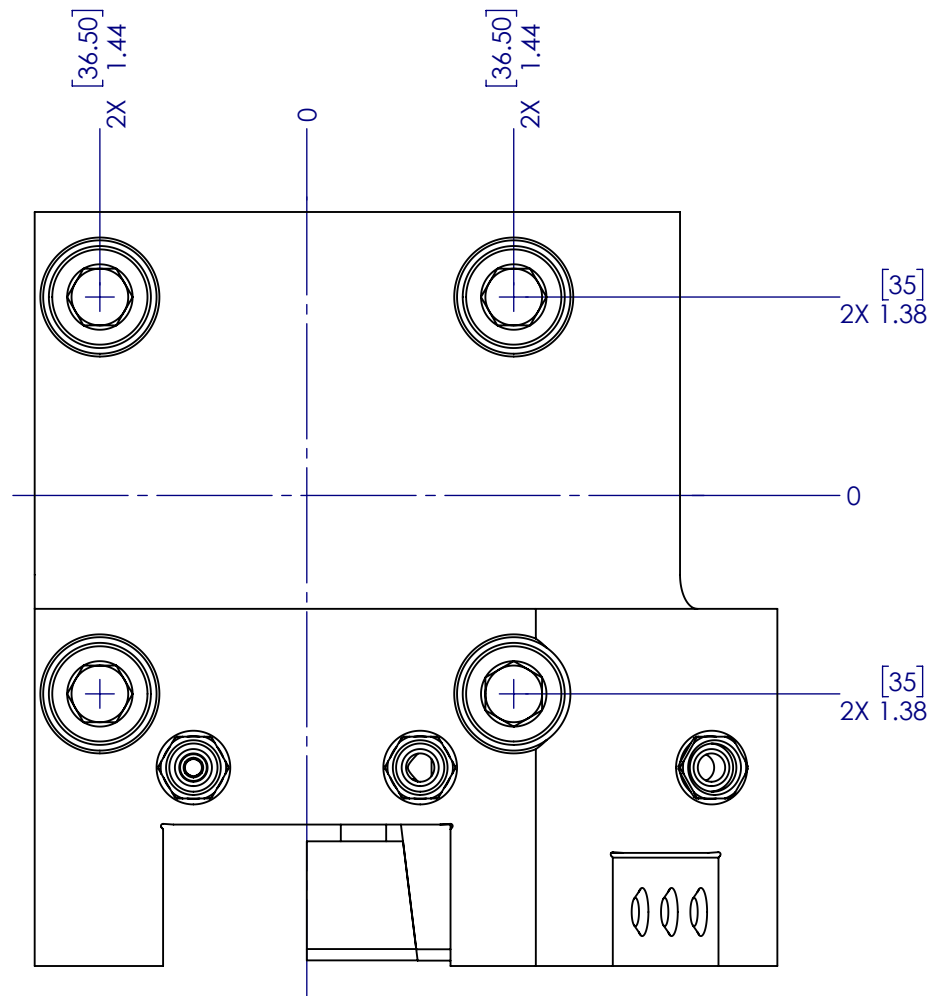
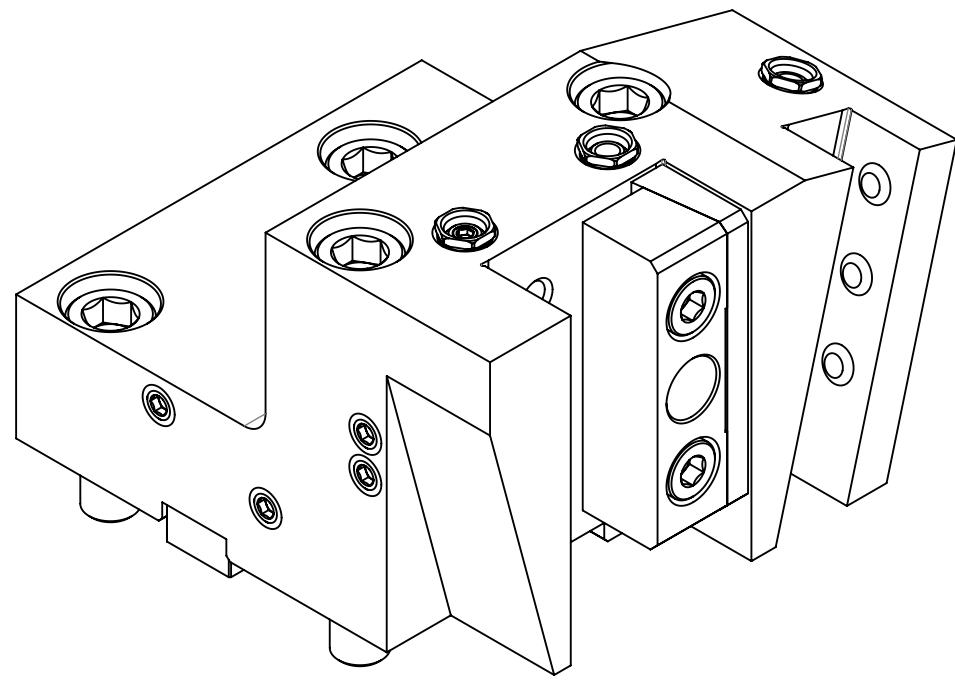


REVISION	DESCRIPTION OF CHANGE	DATE	ECO NUMBER	APPROVED BY
PRE-01	INITIAL DESIGN	11/7/2017	-	



<b>RedLine</b>	DRAWING NUMBER <b>OMW-11641</b>	
	DESCRIPTION <b>BMT65 1.000-0.750 OD HTH HAAS</b>	
PART NUMBER <b>RB65OD075100HI</b>		
DRAWN BY	DATE <b>11/7/2017</b>	DESIGN STATUS <b>PRE-PRODUCTION</b>
PRICE DRAWING NUMBERS	WEIGHT <b>12.77 LBS.</b>	PROCESS STATE <b>FINISHED ASSEMBLY</b>
SCALE <b>3:4</b>		REV. <b>PRE-01</b>
SIZE <b>C</b>		SHEET <b>1 of 1</b>