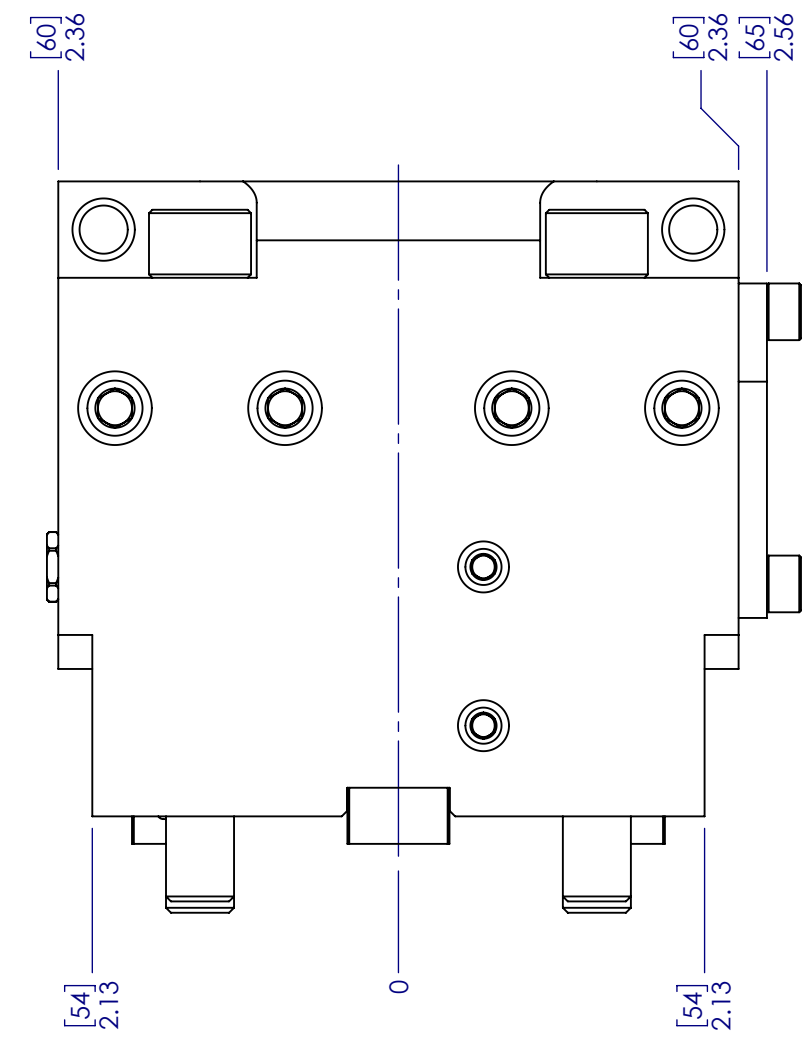
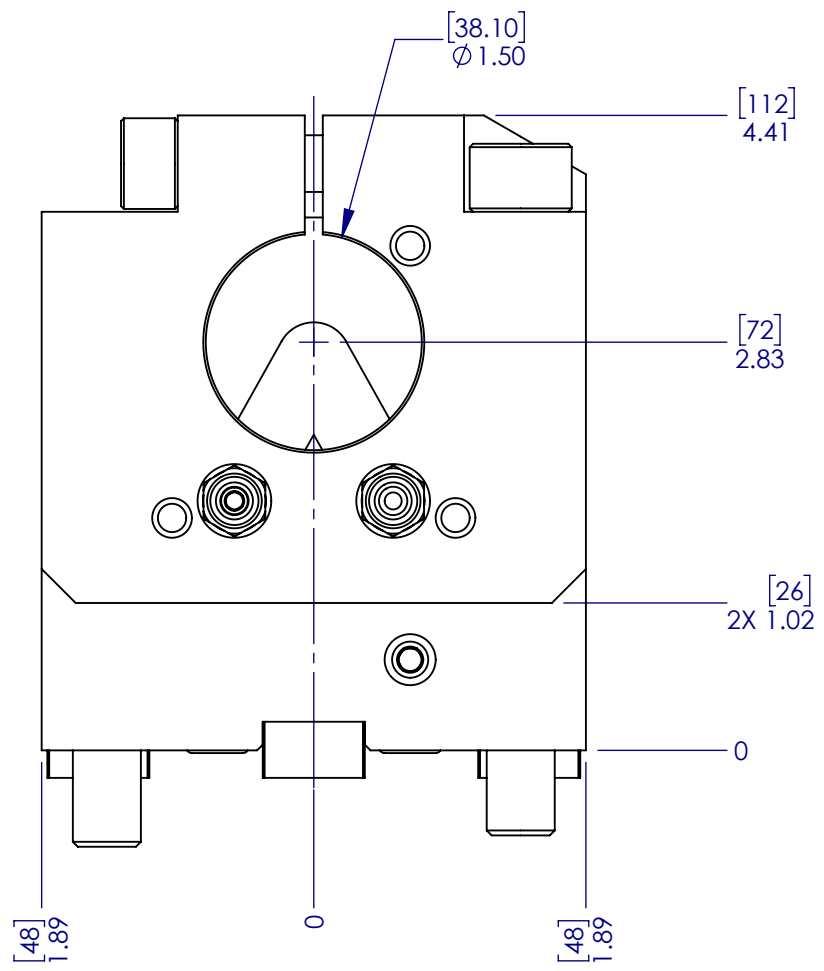
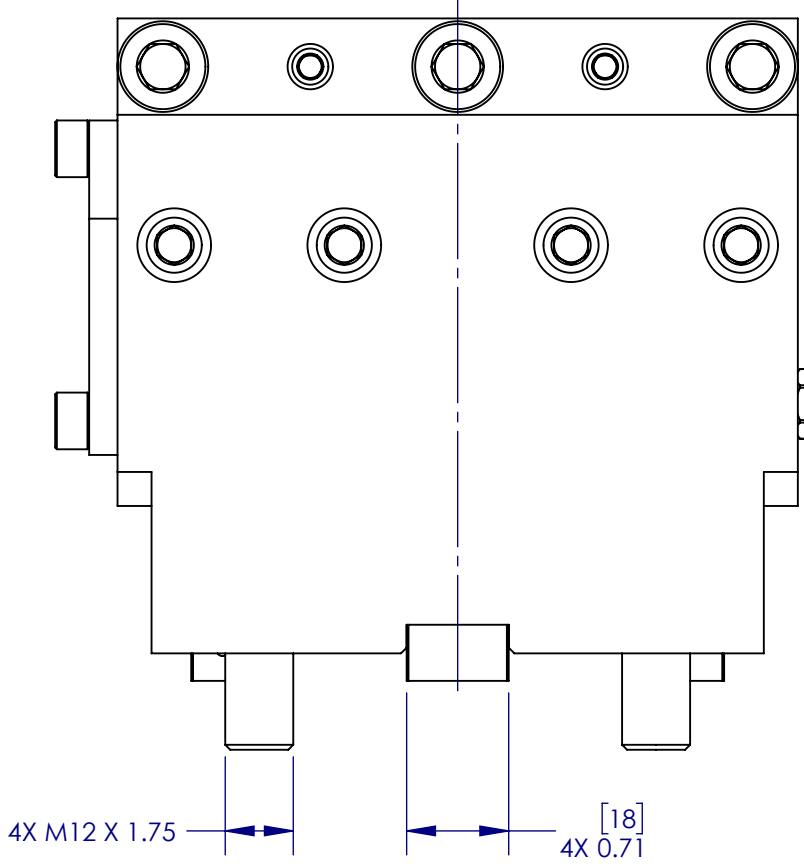
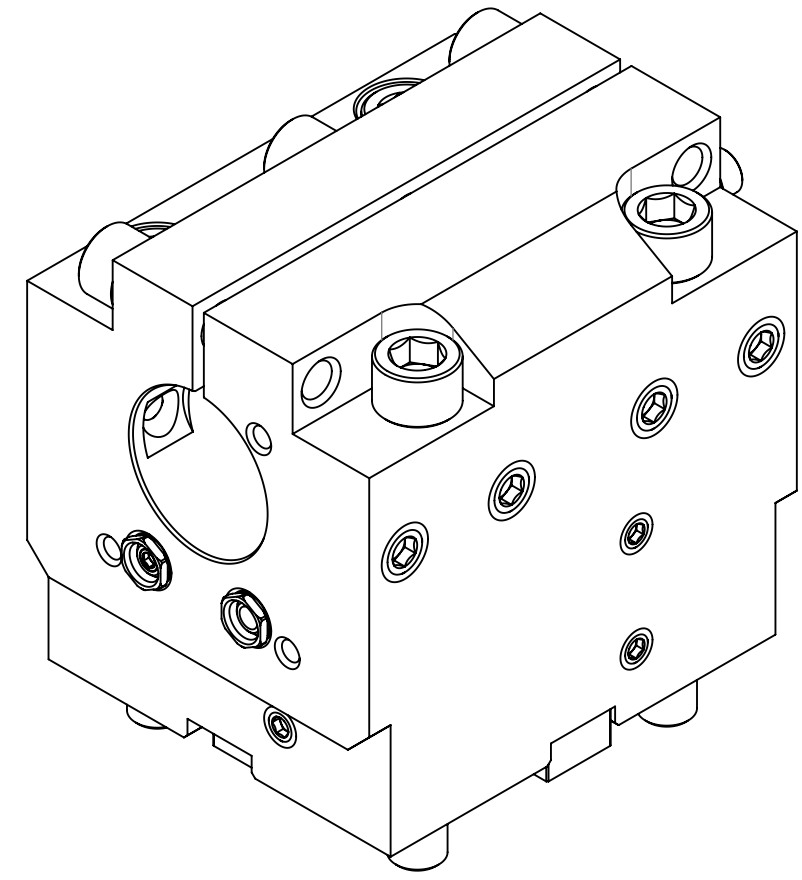
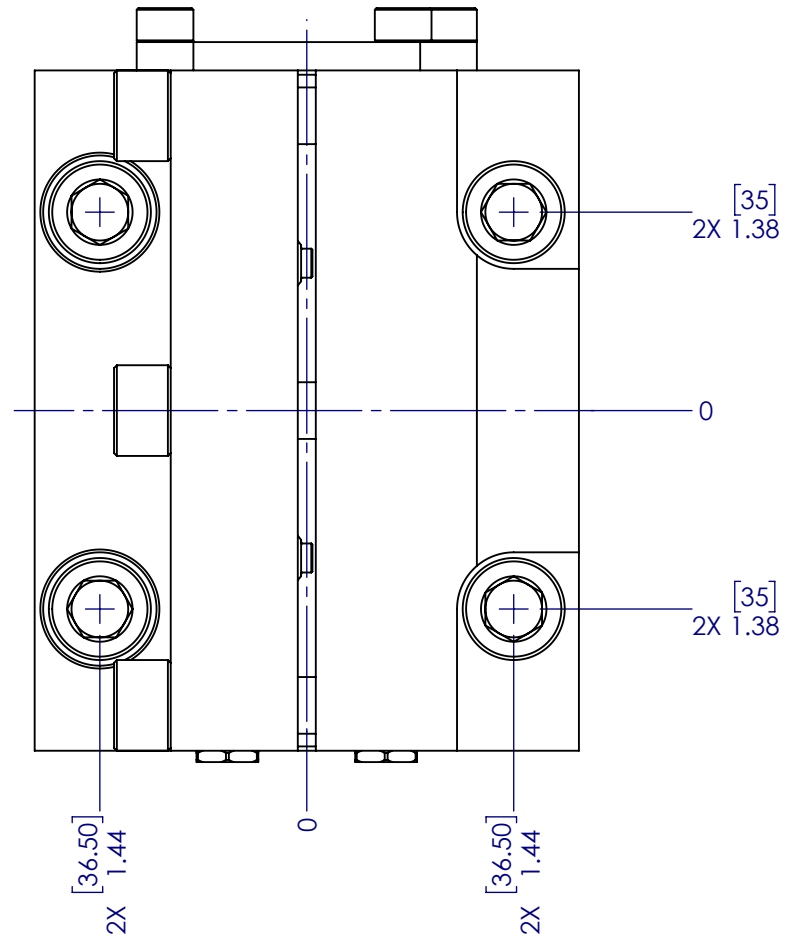
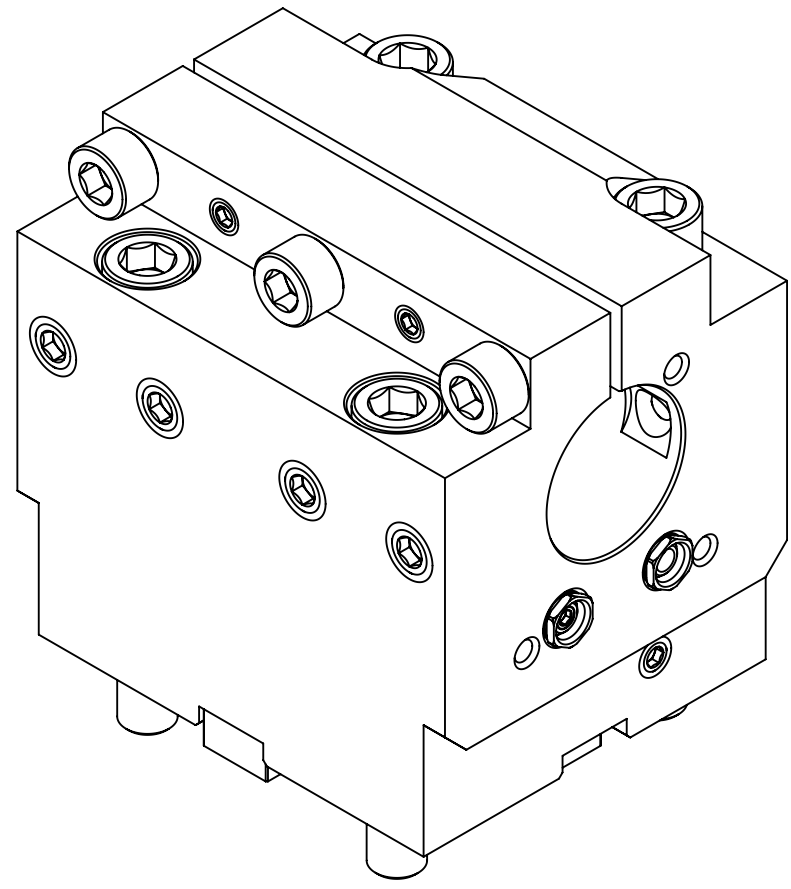


DRAWING NUMBER
OMW-11645

| REVISION | DESCRIPTION OF CHANGE | DATE | ECO NUMBER | APPROVED BY |
|----------|-----------------------|-----------|------------|-------------|
| PRE-01 | INITIAL DESIGN | 11/3/2017 | - | |



| | | | | |
|-----------------------|----------------|-------------------------------------|---------------|--|
| | DRAWING NUMBER | OMW-11645 | | |
| | DESCRIPTION | BMT65 1.500 ID SBBH HAAS | | |
| | PART NUMBER | RB65ID150SP | | |
| DRAWN BY | DATE | DESIGN STATUS | REV. | |
| | 11/3/2017 | PRE-PRODUCTION | PRE-01 | |
| PRICE DRAWING NUMBERS | WEIGHT | PROCESS STATE | SCALE | |
| N/A | 18.10 LBS. | FINISHED ASSEMBLY | 3:4 | |
| | | SIZE | SHEET | |
| | | C | 1 of 1 | |