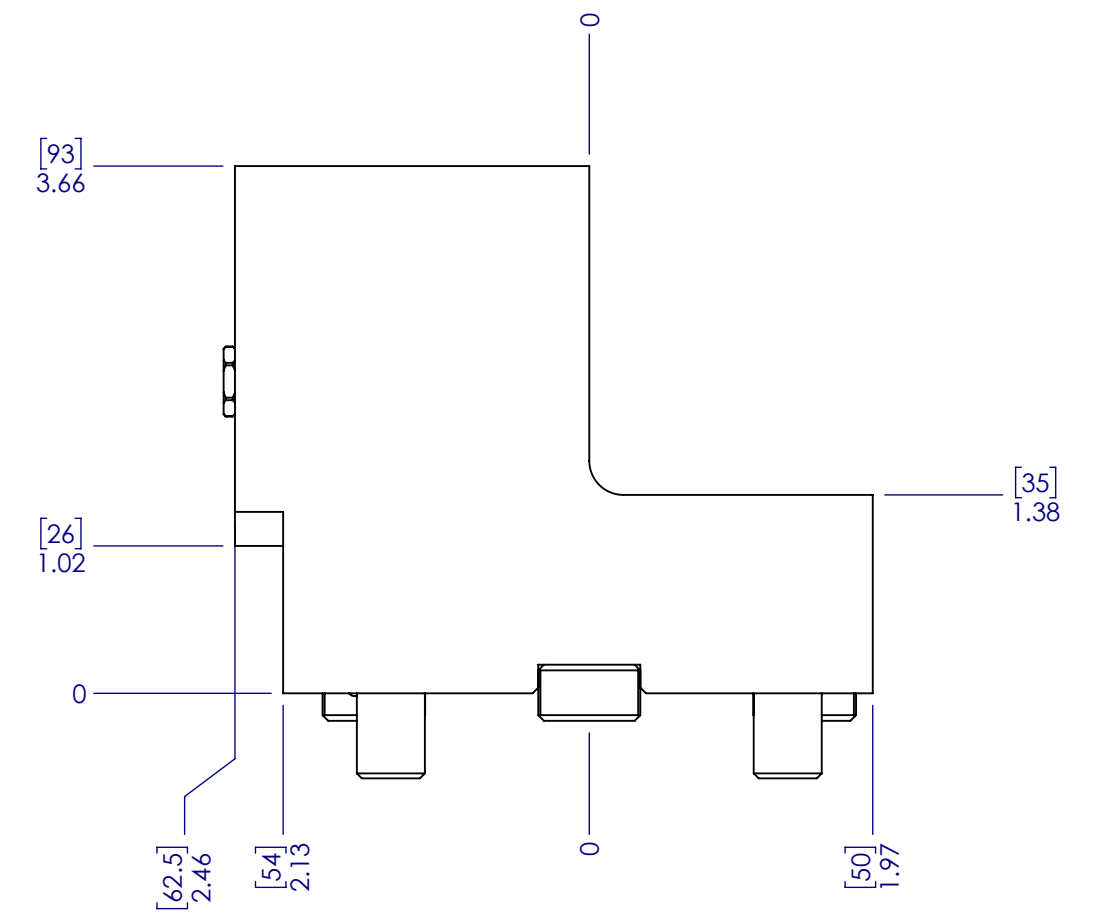
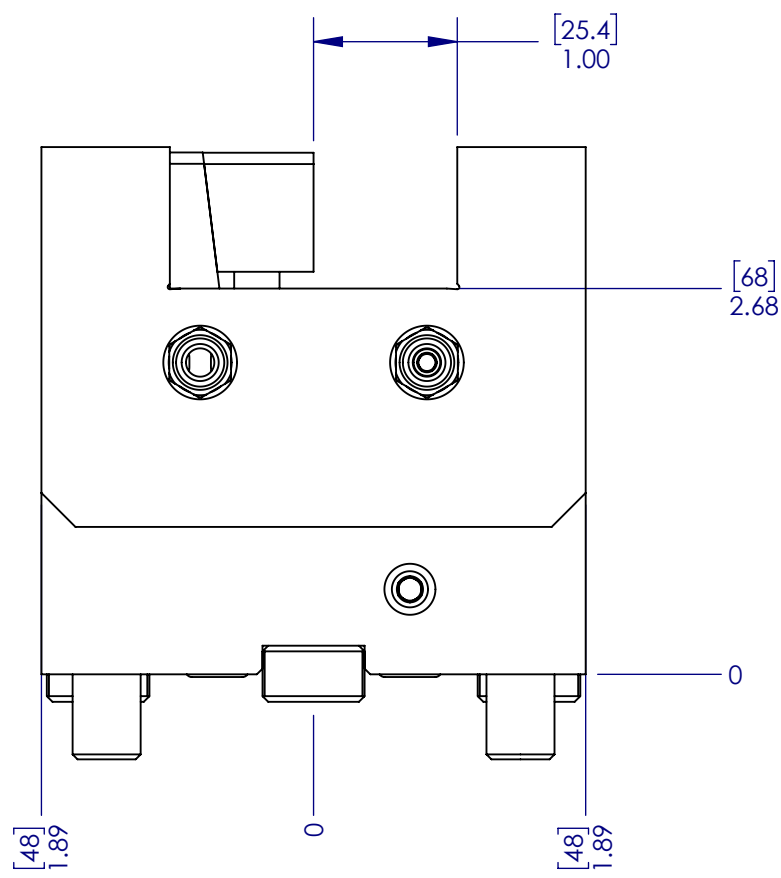
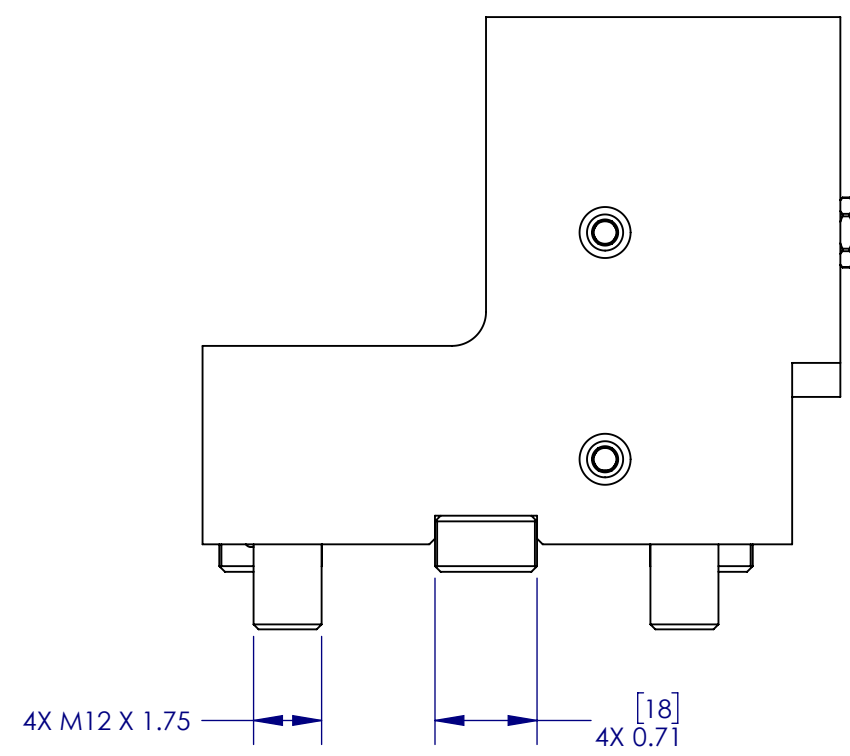
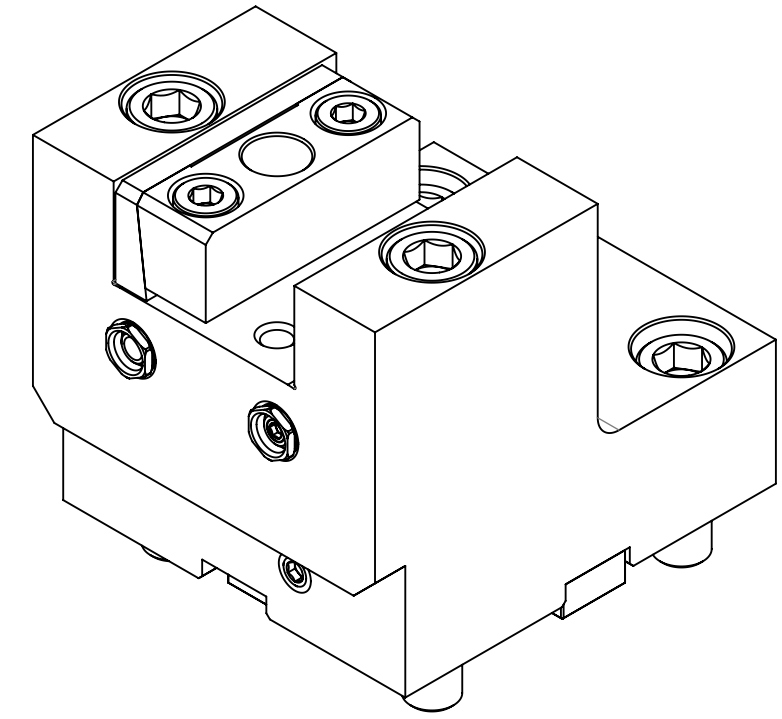
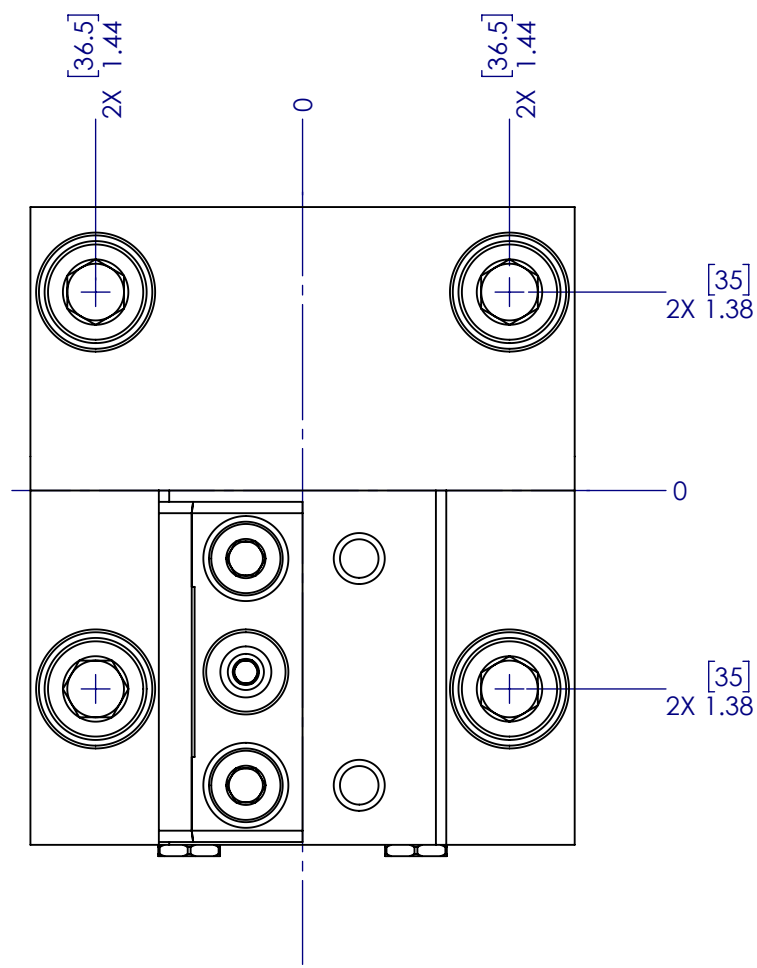
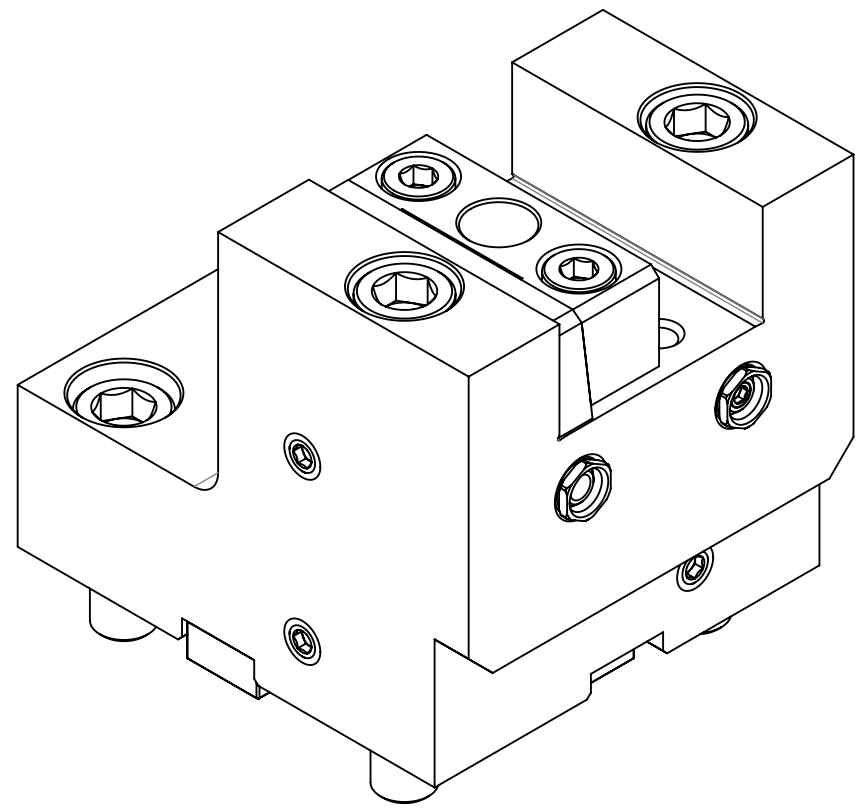


REVISION	DESCRIPTION OF CHANGE	DATE	ECO NUMBER	APPROVED BY
PRE-01	INITIAL DESIGN		-	



RedLine	DRAWING NUMBER 1038251-W	
	DESCRIPTION BMT65 1.000 OD FTH HAAS	
PART NUMBER RB65ODF100		
DRAWN BY	DATE 7/16/2019	DESIGN STATUS PRE-PRODUCTION
PRICE DRAWING NUMBERS N/A	WEIGHT 11.12 LBS.	PROCESS STATE FINISHED ASSEMBLY
SCALE 3:4		REV. PRE-01
SIZE C		SHEET 1 of 1