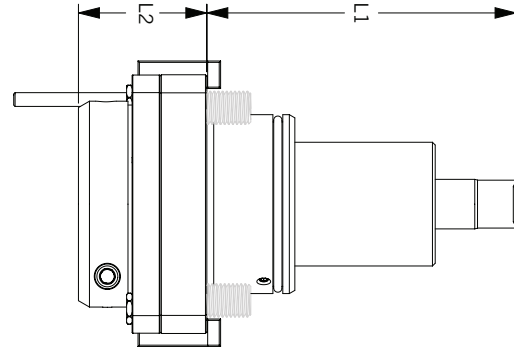


## BMT65 Live Tools - ER32 Spindle

\*One (1) collet nut wrench and one (1) spanner wrench is included.



**Axial**



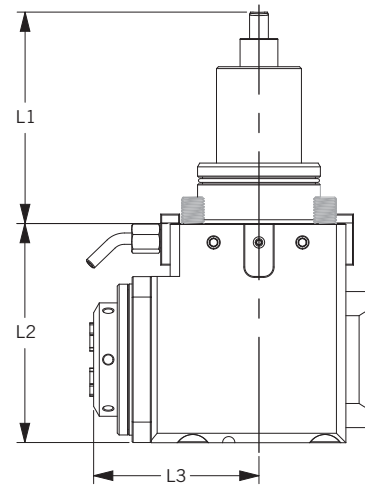
### BMT65 Axial Live Tool\*

Coolant Option: **External Coolant**

Part Number	Coupling	Nut	Collet	LI	L2	Max RPM	Drive Ratio	Runout
<a href="#">RHAB65A32</a>	<b>BMT65</b>	<b>Internal</b>	ER32	<b>112MM</b>	47MM	<b>6,000</b>	1:1	≤.0002



**Radial**



### BMT65 Radial Live Tool\*

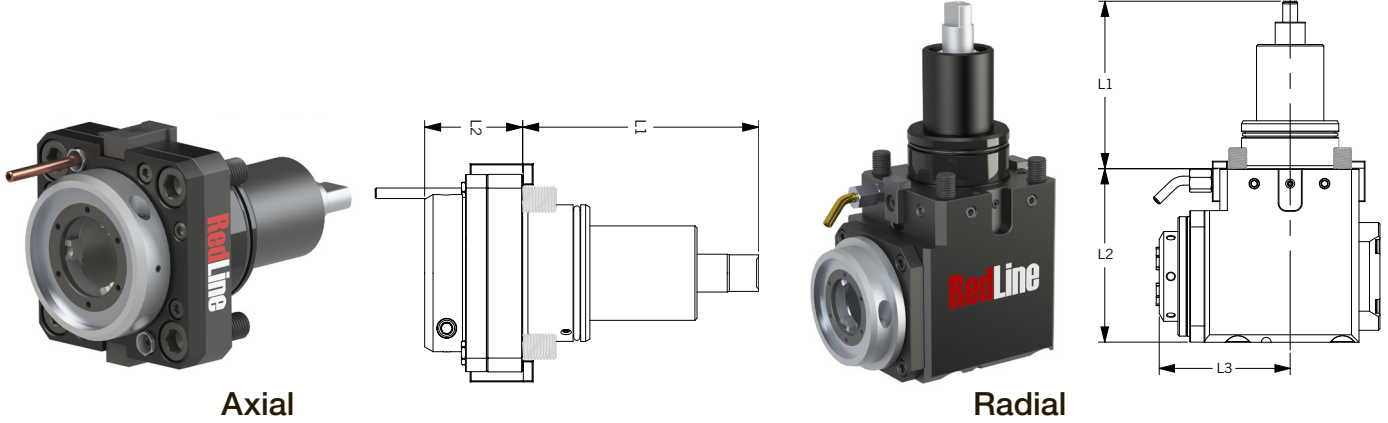
Coolant Option: **External Coolant**

Part Number	Coupling	Nut	Tool Type	LI	L2	L3	Max RPM	Drive Ratio	Runout
<a href="#">BHRB65A32</a>	<b>BMT65</b>	<b>Internal</b>	ER32	<b>112MM</b>	116MM	87.50MM	<b>6,000</b>	1:1	≤.0002

Collets can be found on pages [50-66](#). For hardware visit page [44](#).

## BMT65 Live Tools - VariaConnect Spindle

\*Must purchase VariaConnect adapter to use these tools. \*Torque Wrench sold separately.



### BMT65 Axial Live Tool\*

Coolant Option: **External Coolant**

Part #	Coupling	Tool Type	L1	L2	Max RPM	Drive Ratio	Runout
<a href="#">RHAB65AVC</a>	<b>BMT65</b>	<b>VariaConnect</b>	<b>112MM</b>	47MM	<b>6,000</b>	1:1	≤.0002

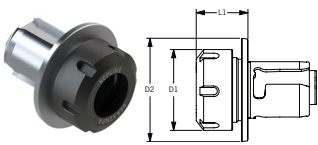
### BMT65 Radial Live Tool\*

Coolant Option: **External Coolant**

Part #	Coupling	Tool Type	L1	L2	L3	Max RPM	Drive Ratio	Runout
<a href="#">RHRB65AVC</a>	<b>BMT65</b>	<b>VariaConnect</b>	<b>112MM</b>	116MM	88.13MM	<b>6,000</b>	1:1	≤.0002

## VariaConnect Adapters & Accessories

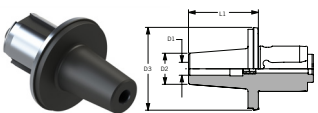
### Collet Chucks



Series	Collet Range	L1	D1	D2	Part #
<b>ER16</b>	.0197-.3937	23.50MM	28MM	64MM	<a href="#">RVCFER16</a>
<b>ER20</b>	.0197-.5118	27MM	34MM	64MM	<a href="#">RVCFER20</a>
<b>ER25</b>	.0197-.6300	28MM	42MM	64MM	<a href="#">RVCFER25</a>
<b>ER32</b>	.0394-.7874	30MM	50MM	64MM	<a href="#">RVCFER32</a>
<b>ER40</b>	.0787-1.1811	57MM	63MM	64MM	<a href="#">RVCFER40</a>

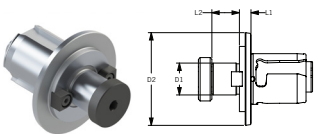
Collets can be found on pages 50-66.

### Shrink Fit Holders



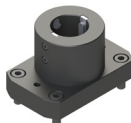
Size	L1	D1	D2	D3	Part #
<b>1/4"</b>	54MM	6.35MM	21MM	64MM	<a href="#">RVCSF0250</a>
<b>3/8"</b>	54MM	9.53MM	24MM	64MM	<a href="#">RVCSF0375</a>
<b>1/2"</b>	54MM	12.70MM	24MM	64MM	<a href="#">RVCSF0500</a>
<b>5/8"</b>	54MM	15.88MM	27MM	64MM	<a href="#">RVCSF0625</a>
<b>3/4"</b>	61.50MM	19.05MM	33MM	64MM	<a href="#">RVCSF0750</a>

### FaceMill Holders



Size	L1	L2	D1	D2	Part #
<b>1/2"</b>	8MM	14.30MM	12.70MM	64MM	<a href="#">RVCFM0500</a>
<b>3/4"</b>	8MM	17MM	19.05MM	64MM	<a href="#">RVCFM0750</a>

Set-up Fixture  
Part #: [RVCSF](#)



Torque Wrench  
Part #: [RVCW](#)

